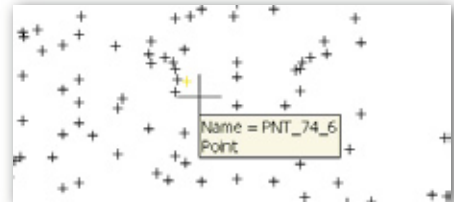




Validation Tool V7.5.3 Enhancements

Additional File Formats Added

- o U3D – Represents 3D contents of the file using shell entity type.
- o 3D PDF - Represents 3D contents of the file using shell entity type.
- o CSV – For importing point nominals. Point names are transferred from the CSV file and are verifiable.



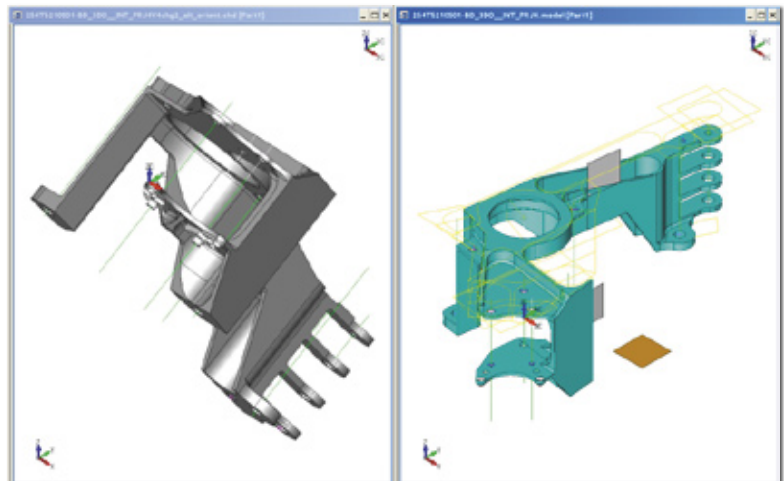
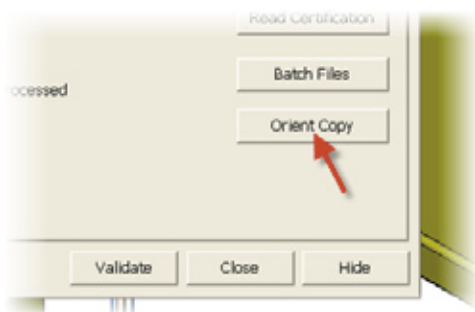
ITAR/EAR export control stamp

This option applies an ITAR/EAR stamp to the QA report when needed.



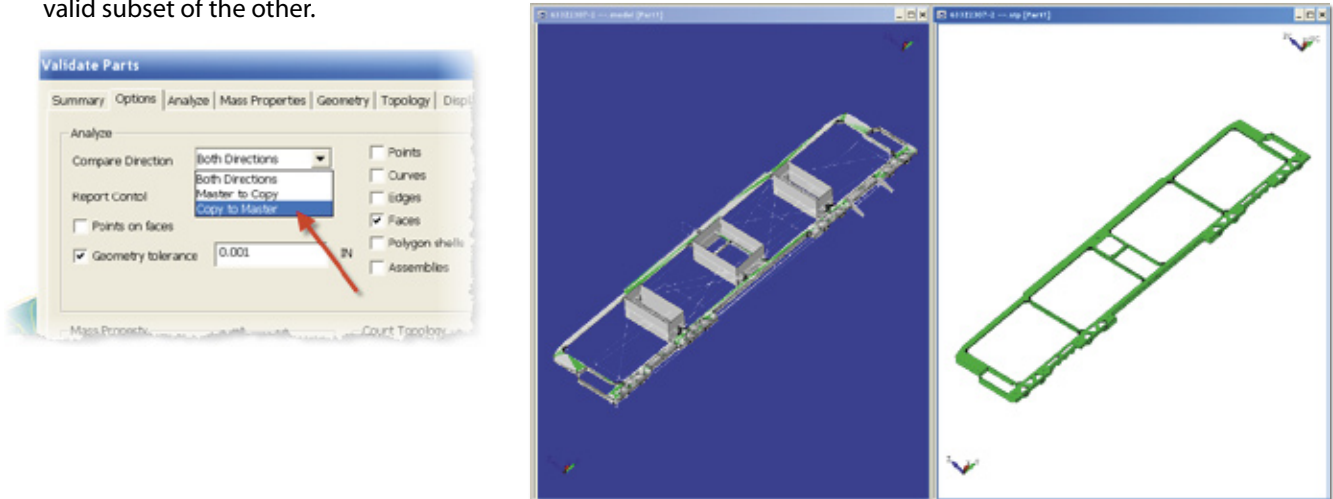
Orient Copy Function

When parts to be validated are in different orientations, this option orients the copy file to the master file before the validation takes place.



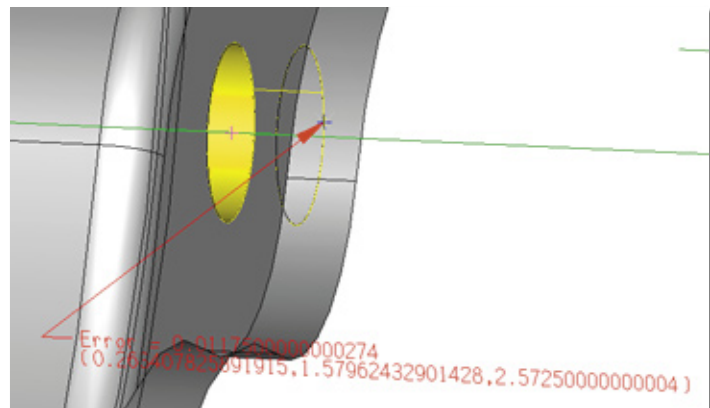
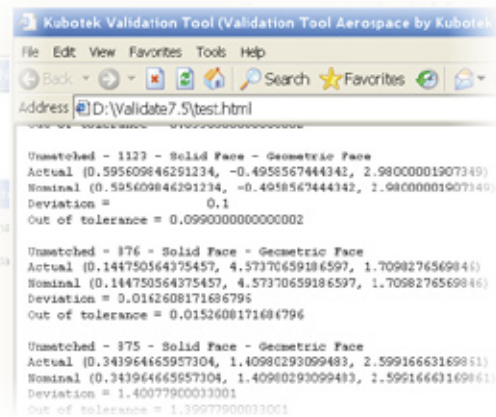
Directional Comparison

Used when the contents of the two files are known to be different but validation is needed that the content of one file is a valid subset of the other.



Enhanced Reporting

- o PDF, HTML and Text format
- o Additional information for error reporting (Actual point, Nominal point, Deviation (Error), Out of tolerance (Deviation - Tolerance))
- o Callouts of error locations are placed on captures
- o +/- values for point deviation indicating inside/outside
- o Show errors/ Show all – This option allows all deviations to be written to the report regardless of error status



Additional File Format Support Options for V7.5.3

File Type	Extension(s)	Read Versions
Autodesk Inventor	IAM	2008
Dassault ACIS	SAT, SAB	R18
Dassault CATIA 5 *	CATProduct	R18
Dassault CATIA 5 *	CATPart	R18
Kubotek KeyCreator	CKD	V7.5
Siemens PLM NX*	PRT	NX5
Adobe PDF 3D	PDF	N/A
Universal3D	U3D	All
Comma Separated Variable	CSV	N/A

***OPTIONAL**

©2008 Kubotek Corporation. All rights reserved.